



# TRAFFICABLE AND NON-TRAFFICABLE **COVERS AND LIDS**





**Personalised** service, distribution across Australia, New Zealand and Asia Pacific regions with a comprehensive product range to match, you're in expert hands.





## TABLE OF CONTENTS

Overview	1
Non-Trafficable SV Square Cover and Lid	2
Non-Trafficable SV Round Cover and Lid	3
Non-Trafficable Large SV Round Cover and Lid	4
Non-Trafficable Hydrant Round Cover and Lid	5
Non-Trafficable Hydrant Square Cover and Lid	6
QLD Non-Trafficable Valve & Hydrant Boxes	7
Trafficable Valve & Hydrant Cover and Lid	8
QLD Trafficable Valve & Hydrant Boxes	9
QLD Lids	9
L-Type Hydrant Cover	10
199 Covers	11
200 Covers	11
GFC Large Syphon Box	12
GFC Small Syphon Box	12
Stop Box 100 x 100	13
Fitzroy Box 150 x 150	13
Stop Box 225 x 150	14
Toby Box – Water & Gas	14
Curb Adaptor	15





# VALVE AND HYDRANT COVERS FOR THE IDENTIFICATION OF POTABLE AND RECYCLED WATER PIPELINES, FOR TRAFFICABLE AND NON-TRAFFICABLE CONDITIONS.



Daemco has an extensive range of valve and hydrant covers and lids that are colour coded for easy identification for trafficable and non-trafficable installations. Our trafficable covers and lids are durable and are coated with black bitumen or UV resistant fusion bonded epoxy. Our non-trafficable covers and lids are lightweight, fire, UV and corrosion resistant, metal detectable, inert and offer design flexibility for unique custom designs.

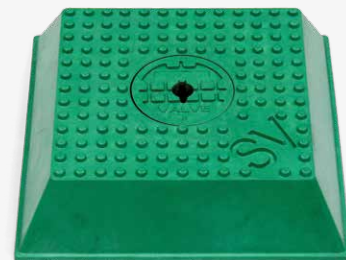
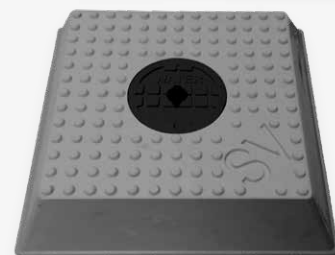
# NON-TRAFFICABLE SV SQUARE COVER AND LID

## Design Advantage

- Highly Durable
- Solid full pigment colour
- UV resistant
- Inert and fire resistant
- Class B
- Metal detectable

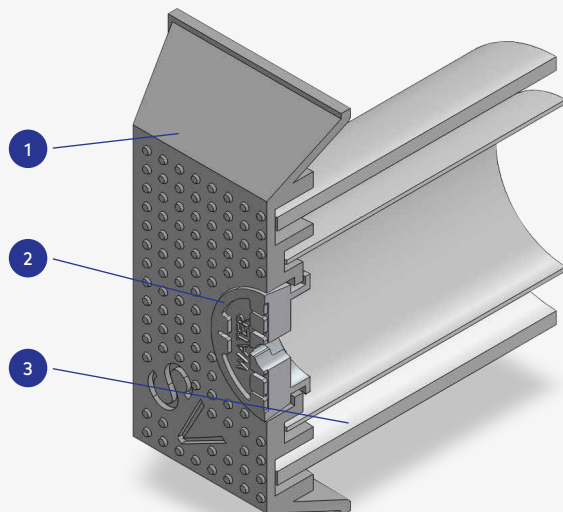
## Technical Detail

<b>Cover</b>	SV, Sheet Mould Compound (SMC)
<b>Lid</b>	Sheet Mould Compound (SMC) * Black Bitumen Cast Iron lids upon request
<b>Colours</b>	White, Grey and Green † Other colours upon request
<b>Installation</b>	Suitable for use with DWV DN150 or DN225 Shroud Pipe
<b>Identification</b>	Colour
<b>Application</b>	Suitable for valve installations in non-trafficable applications
<b>Lid Marking</b>	Water Valve and Water



## Compliance

- AS 3996 Access Covers and Grates
- Class B
- Standard Drawing MRWA-W-302



NO.	PART	MATERIAL
1	Metal Detectable Cover	SMC
2	Lid	SMC *
3	Shroud Pipe #	DWV PVC

# Not included



# NON-TRAFFICABLE SV ROUND COVER AND LID

## Design Advantage

- Highly Durable
- Solid full pigment colour
- UV resistant
- Inert and fire resistant
- Class B
- Metal detectable



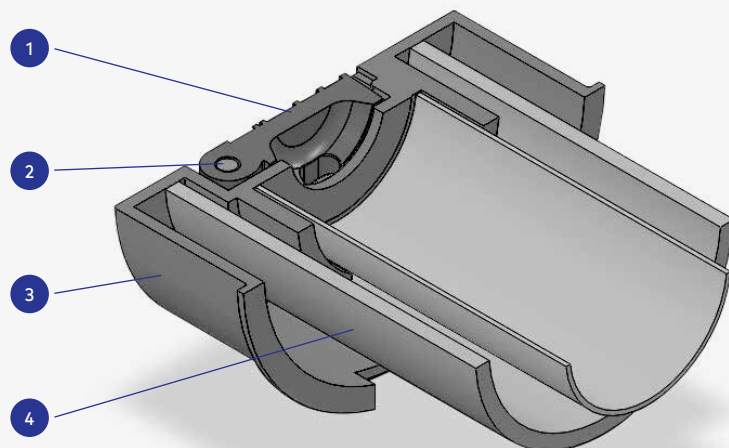
## Technical Detail

<b>Cover</b>	Sheet Mould Compound (SMC)
<b>Lid</b>	Sheet Mould Compound (SMC) * Black Bitumen Cast Iron lids upon request
<b>Colours</b>	Purple, Yellow, Grey, Blue, Green and Red † Other colours upon request
<b>Installation</b>	Suitable for use with DWV DN150 or DN225 Shroud Pipe
<b>Identification</b>	Colour
<b>Application</b>	Suitable for valve installations in non-trafficable applications
<b>Lid Marking</b>	SV and SV NDW



## Compliance

- AS 3996 Access Covers and Grates
- Class B
- Standard Drawing MRWA-W-302



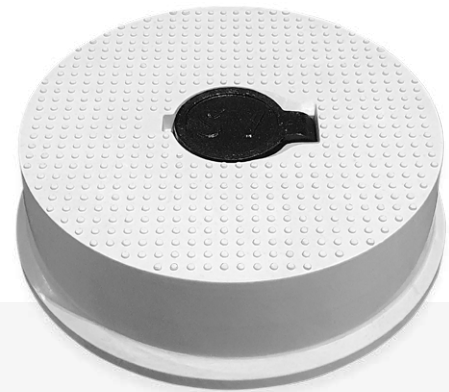
NO.	PART	MATERIAL
1	Lid	SMC *
2	Hinge Pin	Stainless Steel 316
3	Metal Detectable Cover	SMC
4	Shroud Pipe #	DWV PVC

# Not included

# NON-TRAFFICABLE LARGE SV ROUND COVER AND LID

## Design Advantage

- Highly Durable
- Solid full pigment colour
- UV resistant
- Inert and fire resistant
- Class B

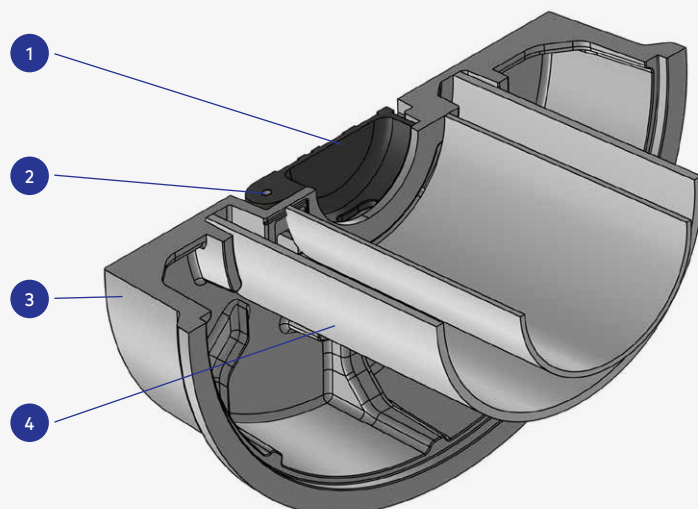


### Technical Detail

<b>Cover</b>	Sheet Mould Compound (SMC)
<b>Lid</b>	Black Bitumen Cast Iron * Sheet Mould Compound (SMC) lids upon request
<b>Colours</b>	White, Grey, Yellow and Blue † Other colours upon request
<b>Installation</b>	Suitable for use with DWV DN150 or DN225 Shroud Pipe
<b>Identification</b>	Colour
<b>Application</b>	Suitable for valve installations in non-trafficable applications
<b>Lid Marking</b>	SV

### Compliance

- AS 3996 Access Covers and Grates
- Class B
- Standard Drawing MRWA-W-302



NO.	PART	MATERIAL
1	Lid	Black Bitumen Cast Iron *
2	Hinge Pin	Stainless Steel 316
3	Cover	SMC
4	Shroud Pipe #	DWV PVC

# Not included

# NON-TRAFFICABLE ROUND HYDRANT COVER AND LID

## Design Advantage

- Highly durable
- Solid full pigment colour
- UV resistant
- Inert and fire resistant
- Class B
- Metal detectable

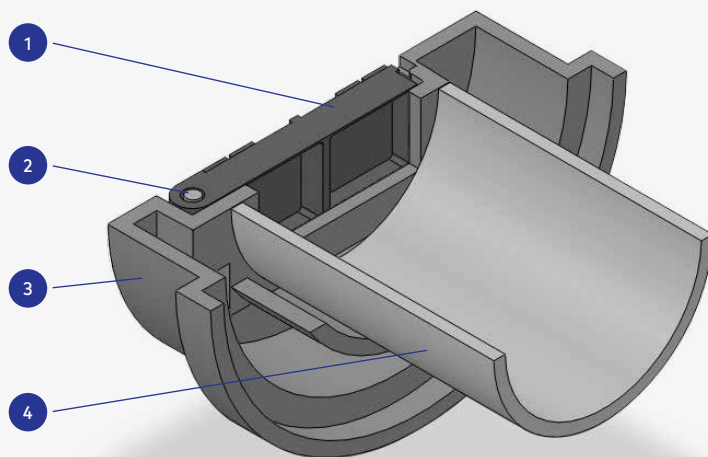


## Technical Detail

<b>Cover</b>	Sheet Mould Compound (SMC)
<b>Lid</b>	Sheet Mould Compound (SMC) * Black Bitumen Cast Iron lids upon request
<b>Colours</b>	Grey, Yellow, Purple and White † Other colours upon request
<b>Installation</b>	Suitable for use with DWV DN225 Shroud Pipe
<b>Identification</b>	Colour
<b>Application</b>	Suitable for hydrant installations in non-trafficable applications
<b>Lid Marking</b>	H and H NDW

## Compliance

- AS 3996 Access Covers and Grates
- Class B
- Standard Drawing MRWA-W-302



NO.	PART	MATERIAL
1	Lid	SMC *
2	Hinge Pin	Stainless Steel 316
3	Metal Detectable Cover	SMC
4	Shroud Pipe #	DWV PVC

# Not included



# NON-TRAFFICABLE SQUARE HYDRANT COVER AND LID

## Design Advantage

- Highly durable
- Solid full pigment colour
- UV resistant
- Inert and fire resistant
- Class B
- Metal detectable

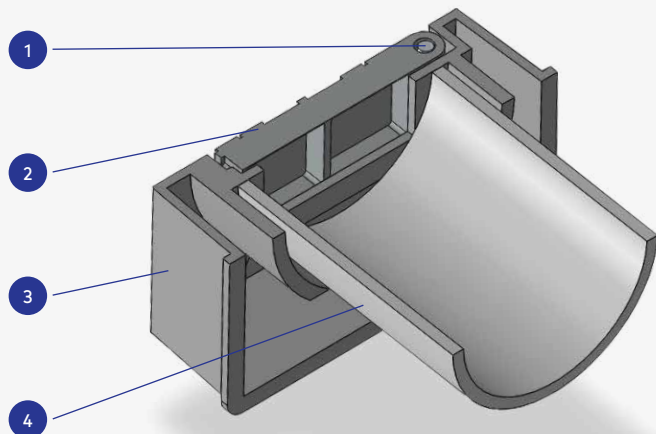
## Technical Detail

<b>Cover</b>	Sheet Mould Compound (SMC)
<b>Lid</b>	Sheet Mould Compound (SMC) * Black Bitumen Cast Iron lids upon request
<b>Colours</b>	White, Grey, Yellow and Blue † Other colours upon request
<b>Installation</b>	Suitable for use with DWV DN225 Shroud Pipe
<b>Identification</b>	Colour
<b>Application</b>	Suitable for hydrant installations in non-trafficable applications
<b>Lid Marking</b>	H



## Compliance

- AS 3996 Access Covers and Grates
- Class B
- Standard Drawing MRWA-W-302



NO.	PART	MATERIAL
1	Hinge Pin	Stainless Steel 316
2	Lid	SMC *
3	Metal Detectable Cover	SMC
4	Shroud Pipe #	DWV PVC

# Not included



# QLD NON-TRAFFICABLE VALVE & HYDRANT BOXES

## Design Advantage

- Highly durable
- Solid full pigment colour
- UV resistant
- Inert and fire resistant
- Class B

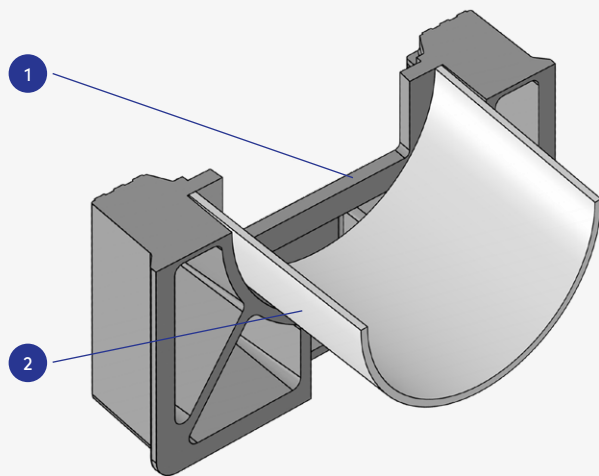
## Technical Detail

<b>Box</b>	Sheet Mould Compound (SMC)
<b>Colours</b>	White and Yellow * Other colours upon request
<b>Installation</b>	Suitable for use with DWV DN225 Shroud Pipe
<b>Identification</b>	Colour
<b>Application</b>	Suitable for valve and hydrant installations in non-trafficable applications



## Compliance

- AS 3996 Access Covers and Grates
- Class B



NO.	PART	MATERIAL
1	Cover	SMC
2	Shroud Pipe #	DWV PVC

# Not included



# TRAFFICABLE VALVE COVER AND LID

## Design Advantage

- Black bitumen coated
- Purple FBE coated UV resistant
- Design flexibility for different load ratings



## Technical Detail

<b>Colours</b>	Black and Purple
<b>Application</b>	Suitable for valve installations in trafficable applications
<b>Lid Marking</b>	Water Valve, Valve, Sewer and Valve NDW

## Compliance

- AS 3996 Access Covers and Grates
- Class D
- Standard Drawing MRWA-W-302



# TRAFFICABLE HYDRANT COVER AND LID

## Design Advantage

- Black bitumen coated
- Purple FBE coated UV resistant
- Design flexibility for different load ratings



## Technical Detail

<b>Colours</b>	Black and Purple
<b>Application</b>	Suitable for hydrant installations in trafficable applications
<b>Lid Marking</b>	Water, FH, Hydrant and Water NDW

## Compliance

- AS 3996 Access Covers and Grates
- Class D
- Standard Drawing MRWA-W-302





# QLD TRAFFICABLE VALVE & HYDRANT BOXES

## Design Advantage

- Black bitumen coated

### Technical Detail

**Colours** Black

**Application** Suitable for valve and hydrant installations in trafficable applications

### Compliance

- AS 3996 Access Covers and Grates
- Class D



# QLD LIDS

## Design Advantage

- Highly Durable

### Technical Detail

**Colours** Black, Yellow and White

**Application** Suitable for use in trafficable and non-trafficable applications

**Marking** H, FH, V, SV and AV

### Compliance

- AS 3996 Access Covers and Grates
- Class D



# L-TYPE HYDRANT COVER

## Design Advantage

- UV resistant colour top
- Latch pin locking system

## Technical Detail

<b>Cover</b>	Hot Dipped Galvanised Steel
<b>Top Colours</b>	Red and Black (Other upon request)
<b>Body</b>	Standard, Drilled, Colour Bands
<b>Installation</b>	Concrete Surround with Latch Pin
<b>Application</b>	Suitable for above ground hydrant and air valve installations
<b>Option</b>	Latch pin





# 199 COVERS

## Design Advantage

- Black bitumen coated

### Technical Detail

Colours	Black
Application	Suitable for installation in trafficable applications
Lid Marking	199

### Compliance

- AS 3996 Access Covers and Grates
- Class C



# 200 COVERS

## Design Advantage

- Black bitumen coated

### Technical Detail

Colours	Black
Application	Suitable for installation in trafficable applications
Lid Marking	200

### Compliance

- AS 3996 Access Covers and Grates
- Class C



# GFC LARGE SYPHON BOX



## Technical Detail

Finish	Iron
Application	Suitable for installation in trafficable applications
Lid Marking	GFC

## Compliance

- AS 3996 Access Covers and Grates
- Class D

# GFC SMALL SYPHON BOX



## Technical Detail

Finish	Iron
Application	Suitable for installation in trafficable applications
Lid Marking	GFC

## Compliance

- AS 3996 Access Covers and Grates
- Class D



# STOP BOX 100 x 100

## Design Advantage

- Black bitumen coated

### Technical Detail

**Colours** Black

**Application** Suitable for non-trafficable applications

### Compliance

- AS 3996 Access Covers and Grates
- Class A



# FITZROY BOX 150 x 150

## Design Advantage

- Black bitumen coated
- Fusion bonded epoxy

### Technical Detail

**Colours** Black and Lilac

**Application** Suitable for non-trafficable applications

**Lid Marking** Blank or NDW

### Compliance

- AS 3996 Access Covers and Grates
- Class B



# STOP BOX 225 x 150

## Design Advantage

- Black bitumen coated

### Technical Detail

**Colours** Black

**Application** Suitable for non-trafficable applications

### Compliance

- AS 3996 Access Covers and Grates
- Class A



# TOBY BOX – WATER & GAS

## Design Advantage

- Black bitumen coated

### Technical Detail

**Colours** Black

**Application** Residential roads and car parks trafficable to vehicles

**Lid Marking** W, G

### Compliance

- AS 3996 Access Covers and Grates
- Class C









**DAEMCO**  
daemco.com.au 03 9863 6838  
2/7-9 Clarissa Street, Campbellfield, 3061

**PARTNERING WITH OUR  
CUSTOMERS TO DELIVER  
END TO END SOLUTIONS**





www.daemco.com.au



VALVES



COUPLINGS



ACCESSORIES



PE DI FITTINGS



COVERS



BANDS

65 Assembly Drive, Tullamarine VIC 3043  
1800 323 626 | [enquiries@daemco.com.au](mailto:enquiries@daemco.com.au)

Follow us on **LinkedIn**

©Copyright 2018. All Rights Reserved. Daemco Australia reserve the right to change designs and specifications without notice, warranties for suitability for use, liability or loss, damage or costs incurred relating to this information is excluded.