



UNRESTRAINED MECHANICAL COUPLINGS



Personalised service, distribution across Australia, New Zealand and Asia Pacific regions with a comprehensive product range to match, you're in expert hands.



TABLE OF CONTENTS

Unrestrained Mechanical Couplings _____ 1

Advantages _____ 2

Technical Data _____ 3



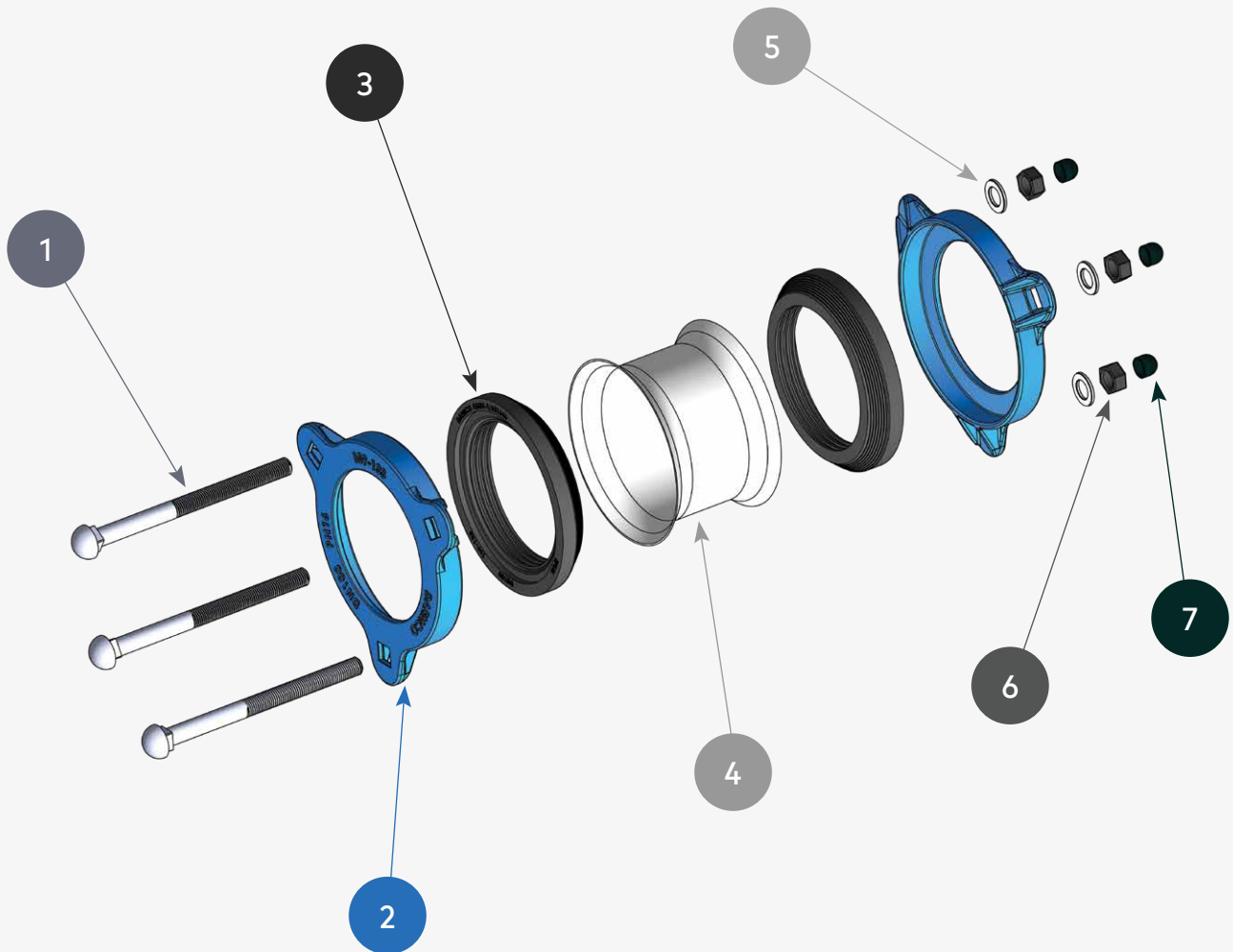
UNRESTRAINED MECHANICAL COUPLINGS FOR PIPE CONNECTION WITH VARIABLE OUTSIDE DIAMETERS WITH OPERATING PRESSURES UP TO PN 16. SIZES RANGE FROM DN80 TO DN600.



Daemco's range of Unrestrained Mechanical Couplings (UMC's) have a large variable outside pipe diameter range with no need for disassembly making them faster and easier to install. Specialty bolts fitted to enable fastening on just one side of the coupling, enhancing the ease of assembly whilst in the field. A versatile solution enabling one coupling to fit to a wide variety of pipe materials that include Ductile Iron, Cast Iron, PVC, GRP and Asbestos Cement to name a few.

Advantages of the Unrestrained Mechanical Coupling

- Quick and easy install
- Disassembly not required
- Pre-lubricated gaskets
- Wide range to suit all pipe diameters
- Ultimate corrosion protection



1	BOLTS	Stainless Steel Grade 316
2	END RINGS	Ductile Iron FBE Coated
3	GASKETS	EPDM
4	BARREL	Stainless Steel Grade 316L
5	WASHERS	Stainless Steel Grade 316
6	NUTS	Stainless Steel Grade 316, Molybdenum Delta Seal
7	BOLT CAPS	Plastic

UNRESTRAINED MECHANICAL COUPLINGS

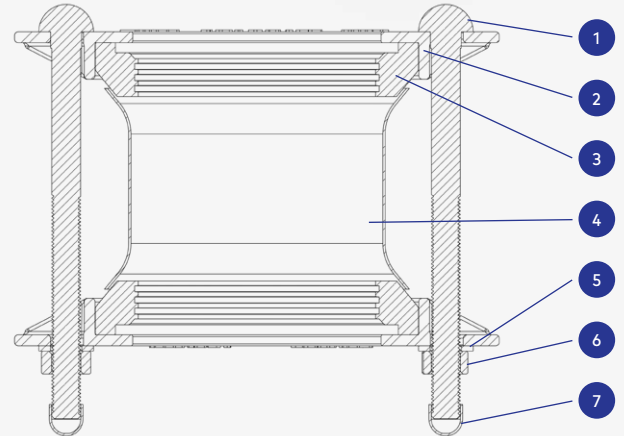
Design Advantage

- Quick and easy to install
- Disassembly not required
- Wide range to suit all pipe diameters
- Ultimate corrosion protection
- Pre-lubricated gaskets



Technical Detail

Range	DN80 to DN600
Pressure	PN16
Temperatures	40°C
Applications	Suitable for potable water and wastewater. For connecting equal or unequal pipe diameters.
Options	NBR Gaskets



Compliance

- Product Certification OMK30051
- WSAA PA 1518



NO.	PART	MATERIAL		STANDARD
1	Bolts	Stainless Steel	316	ASTM F593
2	End Rings	Ductile Iron FBE Coated	400-15	AS 1831
3	Gaskets	Rubber	EPDM	AS 1646
4	Barrel	Stainless Steel	316L	ASTM A240M
5	Washers	Stainless Steel	316	ASTM F844
6	Nuts	Stainless Steel, Delta Seal	316	ASTM F594
7	Bolt Caps	Plastic		

SHORT SERIES

PRODUCT CODE	NOMINAL DIAMETER	RANGE		BOLT			PN	MAX ANGULAR DEFLECTION PER SIDE	BARREL LENGTH
		MIN	MAX	L	SIZE	QTY			
UMC0080316S	DN80	88	102	200	M16	3	16	3/3	110
UMC0100316S	DN100	109	133	200	M16	3	16	3/3	110
UMC0150316S	DN150	158	182	200	M16	3	16	3/3	110

LONG SERIES

PRODUCT CODE	NOMINAL DIAMETER	RANGE		BOLT			PN	MAX ANGULAR DEFLECTION PER SIDE	BARREL LENGTH
		MIN	MAX	L	SIZE	QTY			
UMC0080316L	DN80	88	102	270	M16	3	16	3/3	178
UMC0100316L	DN100	109	133	270	M16	3	16	3/3	178
UMC0150316L	DN150	158	182	270	M16	3	16	3/3	178
UMC0200316L	DN200	214	238	290	M16	5	16	3/3	178
UMC0225316L	DN225	240	264	290	M16	6	16	3/3	178
UMC0250316L	DN250	272	296	290	M16	6	16	3/3	178
UMC0300316L	DN300	330	354	330	M16	6	16	3/3	178
UMC0375316L	DN375	400	429	330	M16	8	16	2.5/2.5	218
UMC0450316L	DN450	488	512	330	M16	10	16	2/2	218
UMC0500316L	DN500	540	565	330	M16	12	16	2/2	218
UMC0600316L	DN600	656	680	330	M16	14	16	1.5/1.5	218





**PARTNERING WITH OUR CUSTOMERS
TO DELIVER END TO END SOLUTIONS**



www.daemco.com.au



VALVES



COUPLINGS



ACCESSORIES



PE DI FITTINGS



COVERS



BANDS

65 Assembly Drive, Tullamarine VIC 3043
1800 323 626 | enquiries@daemco.com.au

Follow us on **LinkedIn**

©Copyright 2018. All Rights Reserved. Daemco Australia reserve the right to change designs and specifications without notice, warranties for suitability for use, liability or loss, damage or costs incurred relating to this information is excluded.